

DPD Dept	ATC Dept	OAD Dept
AGM - 1	Manager - 1	AGM - 1
CM - 3	Award staff - 16	CM - 1
Manager - 4		Deputy Manager-3
		Award staff - 8
		Sub-staff - 1
		Outsource - 1
TOTAL - 8	TOTAL - 17	TOTAL - 15

ENARC CONSULTANTS
ARCHITECTS AND ENGINEERS
 M. G. Road, Thrissur - 1.
 Tel. : +91 (487) 2441901
 Fax : +91 (487) 2442011
 E-mail : office@enarc.net.in

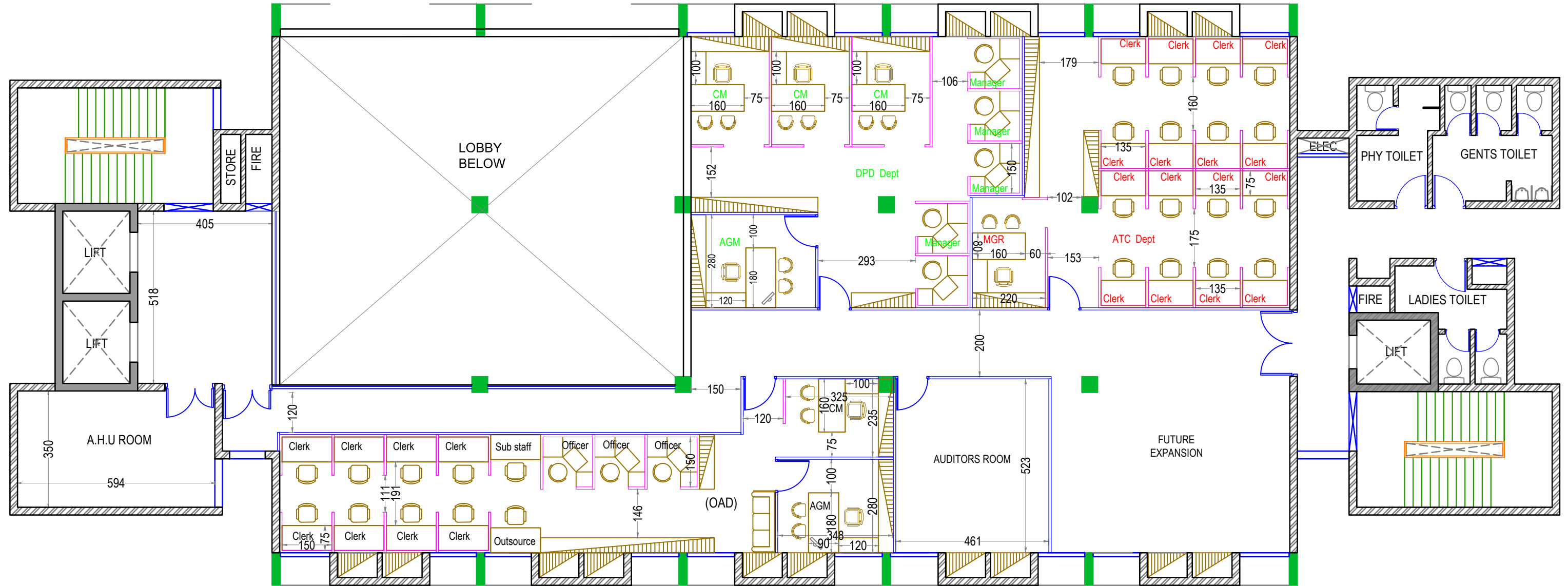
PROPOSED INTERIOR FURNISHING FOR HEAD OFFICE
STATE BANK OF INDIA,
TRIVANDRUM
INTERIOR LAYOUT WITH ITEM NO
FIRST FLOOR

LEGEND
 FULLY GLAZED PARTITIONS
 MODULAR PARTITIONS
 (120 cm ht)

Drawn by
 GINISH K G
 Architect
 PRAVEEN.P
 B. Arch.[Reg], A.I.I.A, A.I.I.I.D

Chief Architect
 Ar. K. RAMAKRISHNAN
 B.Sc.(Engg), F.I.E, C. Eng (I),
 F.I.V , F.I.I.A. (Regd), A.I.I.I.D

Date: 11-05-2017
 Sheet No : 01
 Drawing No:
 Scale: Not to scale
 All Dimensions are in Cms.
 Revision Dates:17-05-2017
 23-05-2017
 29-05-2017
 26-07-2018
 31-07-2018
 01-08-2018
 07-08-2018
 29-10-2018



DPD Dept	ATC Dept	OAD Dept
AGM - 1	Manager - 1	AGM - 1
CM - 3	Award staff - 16	CM - 1
Manager - 4		Deputy Manager-3
		Award staff - 8
		Sub-staff - 1
		Outsource - 1
TOTAL - 8	TOTAL - 17	TOTAL - 15

ENARC CONSULTANTS
ARCHITECTS AND ENGINEERS
 M. G. Road, Thrissur - 1.
 Tel. : +91 (487) 2441901
 Fax : +91 (487) 2442011
 E-mail : office@enarc.net.in

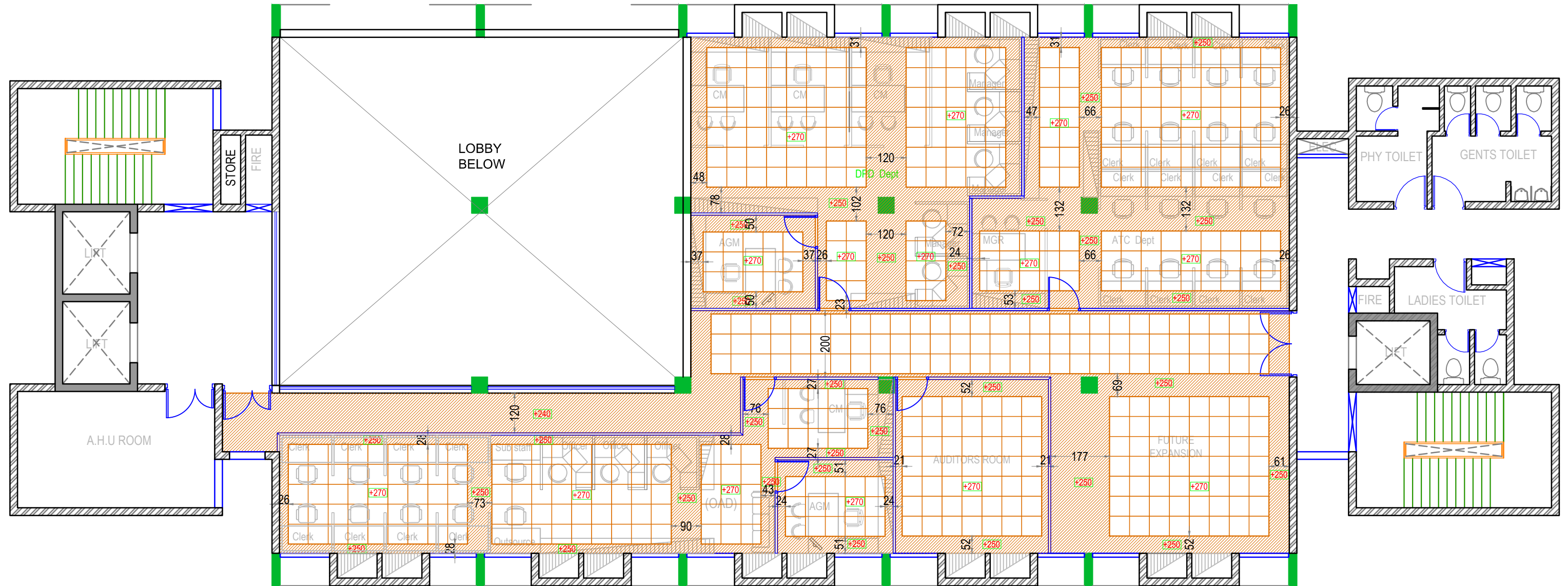
PROPOSED INTERIOR FURNISHING FOR HEAD OFFICE
STATE BANK OF INDIA,
TRIVANDRUM
FIRST FLOOR INTERIORLAYOUT
OPTION - 02 B

LEGEND
 FULLY GLAZED PARTITIONS
 MODULAR PARTITIONS
 (120 cm ht)

Drawn by
 GINISH K G
 Architect
 PRAVEEN.P
 B. Arch.[Reg], A.I.I.A, A.I.I.I.D

Chief Architect
 Ar. K. RAMAKRISHNAN
 B.Sc.(Engg), F.I.E, C. Eng (I),
 F.I.V , F.I.I.A. (Regd), A.I.I.I.D

Date: 11-05-2017
 Sheet No : 01
 Drawing No:
 Scale: Not to scale
 All Dimensions are in CMs.
 Revision Dates:17-05-2017
 23-05-2017
 29-05-2017
 26-07-2018
 31-07-2018
 01-08-2018
 07-08-2018
 29-10-2018



DPD Dept	ATC Dept	OAD Dept
AGM - 1	Manager - 1	AGM - 1
CM - 3	Award staff - 16	CM - 1
Manager - 4		Deputy Manager-3
		Award staff - 8
		Sub-staff - 1
		Outsource - 1
TOTAL - 8	TOTAL - 17	TOTAL - 15

ENARC CONSULTANTS
ARCHITECTS AND ENGINEERS
 M. G. Road, Thrissur - 1.
 Tel. : +91 (487) 2441901
 Fax : +91 (487) 2442011
 E-mail : office@enarc.net.in

PROPOSED INTERIOR FURNISHING FOR HEAD OFFICE
STATE BANK OF INDIA,
TRIVANDRUM
FIRST FLOOR CEILING LAYOUT

LEGEND
 — FULLY GLAZED PARTITIONS
 — MODULAR PARTITIONS (120 cm ht)

Drawn by: GINISH K G
 Architect: PRAVEEN.P
 B. Arch.[Reg], A.I.I.A, A.I.I.I.D

Chief Architect: Ar. K. RAMAKRISHNAN
 B.Sc.(Engg), F.I.E, C. Eng (I),
 F.I.V , F.I.I.A. (Regd), A.I.I.I.D

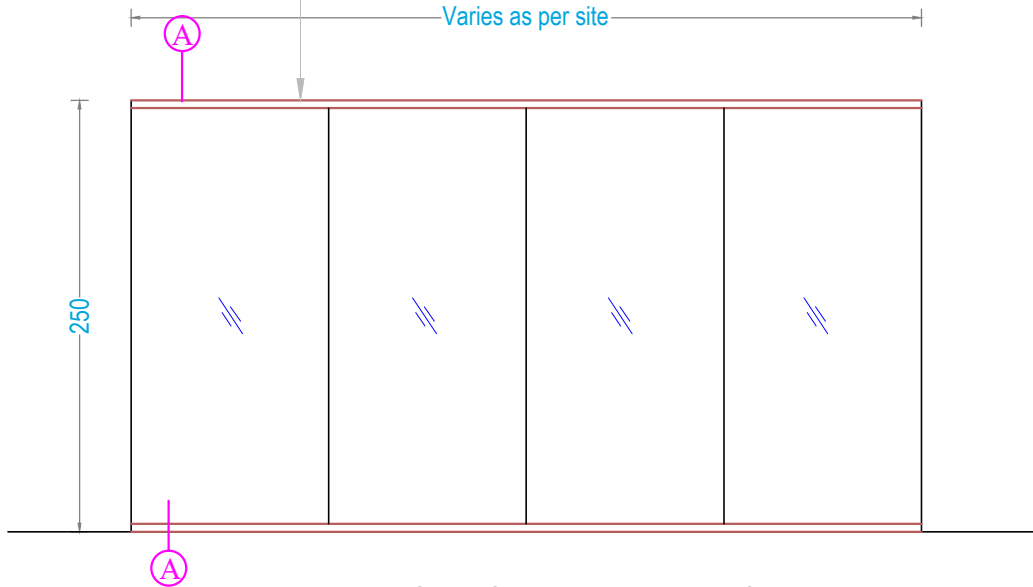
Date: 11-05-2017
 Sheet No : 01
 Drawing No:
 Scale: Not to scale
 All Dimensions are in CMs.

Revision Dates: 17-05-2017
 23-05-2017
 29-05-2017
 26-07-2018
 31-07-2018
 01-08-2018
 07-08-2018
 29-10-2018

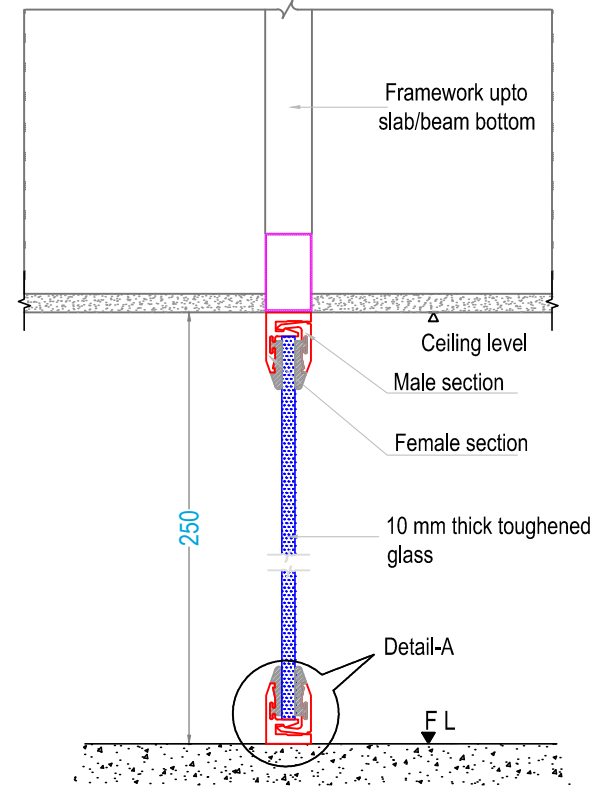


ENARC CONSULTANTS
ARCHITECTS & ENGINEERS
 M. G. Road, Thrissur - 1.
 Tel. : (+91 487) 2441901
 Fax : (+91 487) 2442011
 E-mail : office@enarc.net.in

Aluminum sections of slim line twin style twin pro section No. 6633(35 mm x 25mm) and 6634(35 mmx20mm) male and female sections providing inside with rubber gaskets in top and bottom upto ceiling level

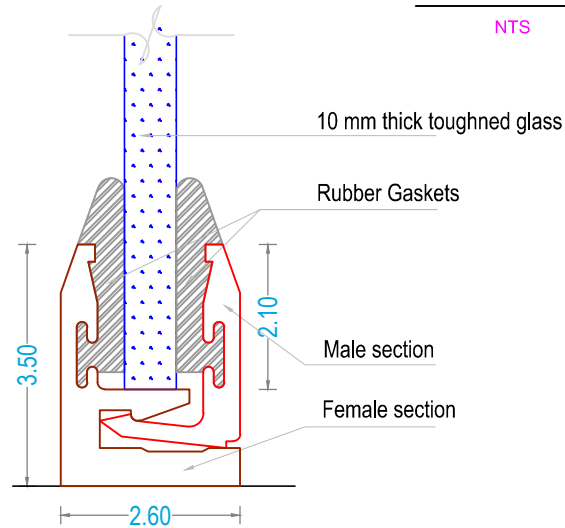


FULL HEIGHT GLAZED PARTITION



SECTION AA

NTS



DETAIL - A

**PROPOSED INTERIOR FURNISHING FOR
 HEAD OFFICE, FIRST FLOOR
 STATE BANK OF INDIA,
 TRIVANDRUM**

DETAILS OF :		ITEM Nos.
FULL HEIGHT GLAZED PARTITION		1
Drawn by	GINISH K G	
Architect	PRAVEEN.P B. Arch.[Reg], A.I.I.A, A.I.I.I.D	
Chief Architect	Ar. K. RAMAKRISHNAN B.Sc.(Engg.), F.I.E, C.Eng(I), F.I.V.F.I.I.A.(Regd.), A.I.I.I.D	
Date:	03-11-2018	Drawing No.
Revision Date:		Sheet No. 04
		Scale NTS
		All Dimensions are in CMs.

**PROPOSED INTERIOR
 FURNISHING FOR
 HEAD OFFICE,
 FIRST FLOOR
 STATE BANK OF INDIA,
 TRIVANDRUM**

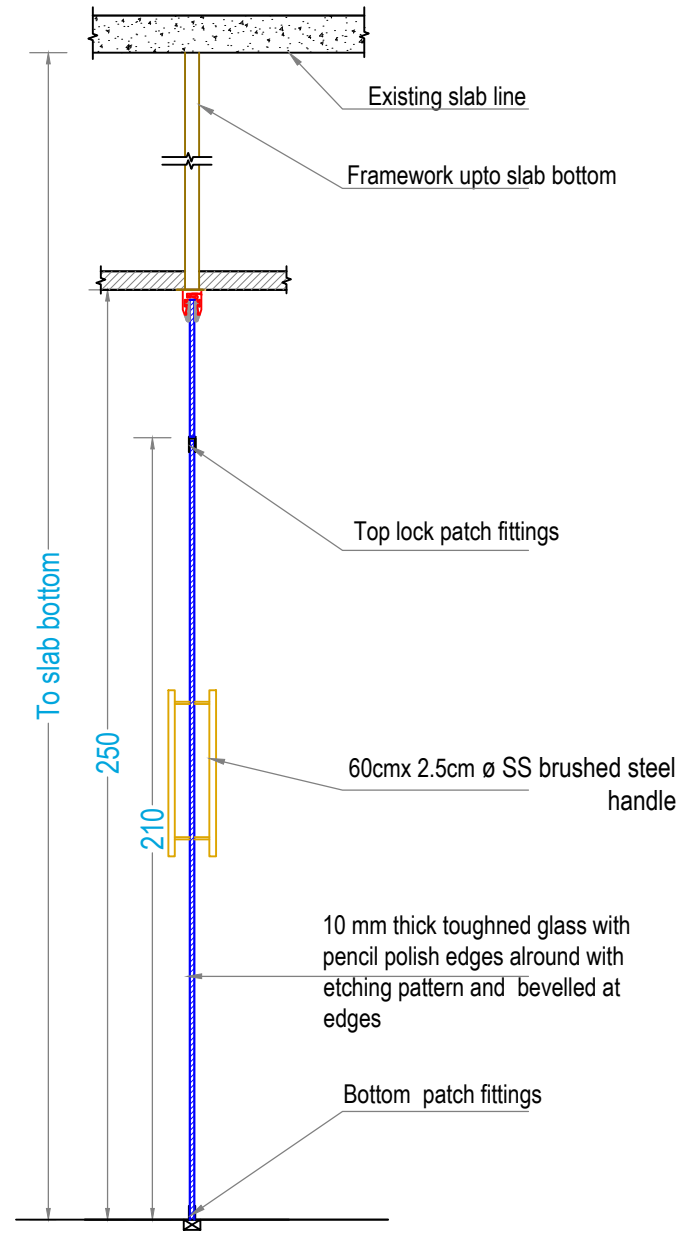
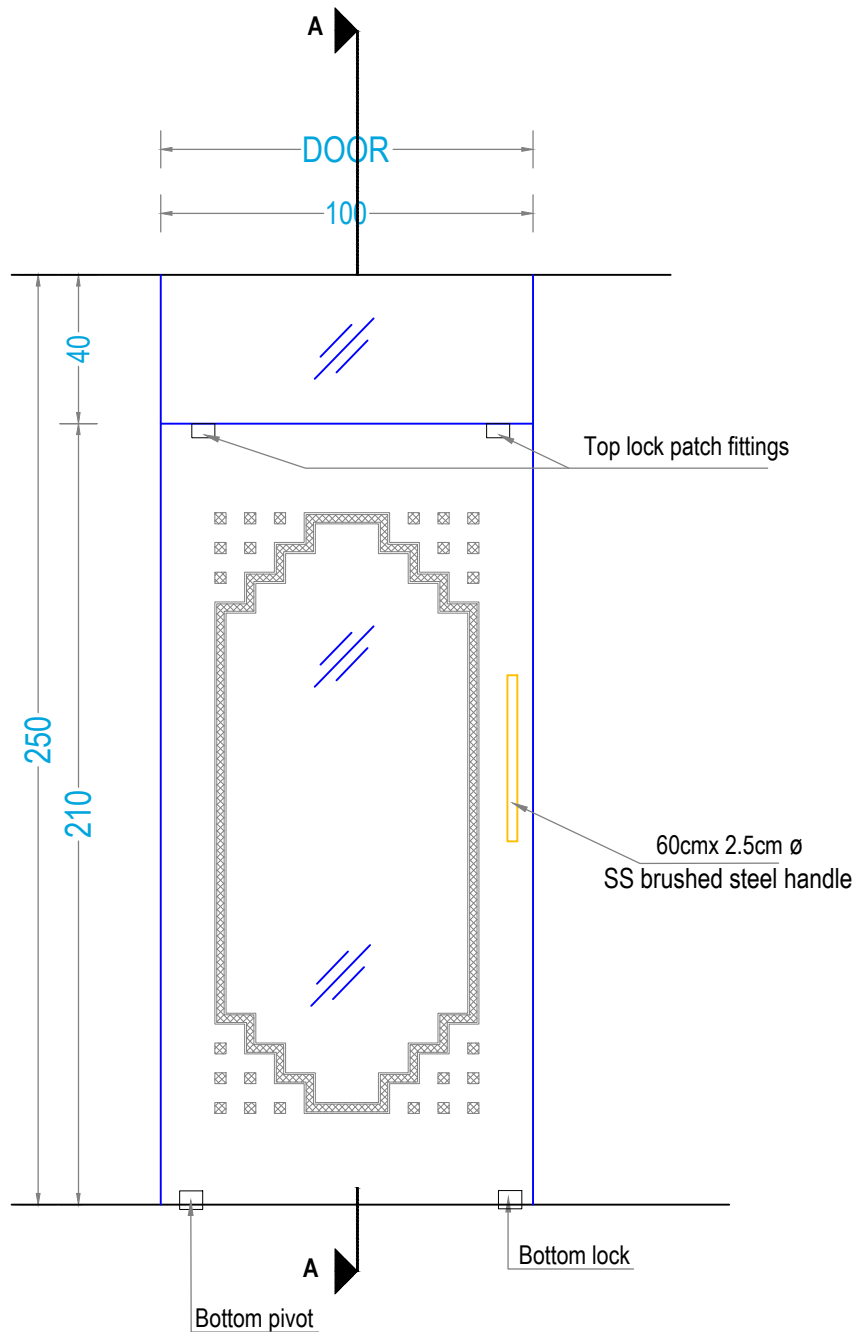
DETAILS OF :	ITEM NOS.
1. FULLY GLAZED DOOR	1a

Drawn by	GINISH KG
----------	-----------

Architect	PRAVEEN.P B. Arch.[Regd], A.I.I.A, A.I.I.I.D
-----------	---

Chief Architect	Ar. K. RAMAKRISHNAN B.Sc.(Engg.), F.I.E, C.Eng(I), F.I.V,F.I.I.A.(Regd.), A.I.I.I.D
-----------------	---

Date: 03-11-2018	Drawing No.
Revision Date:	Sheet No : 05
	Scale NTS
All Dimensions are in CMs.	

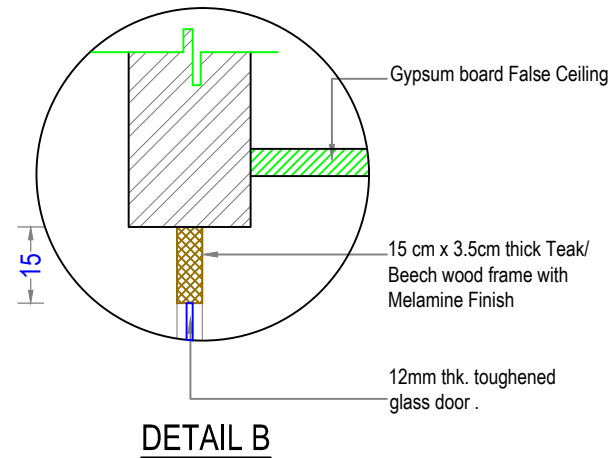
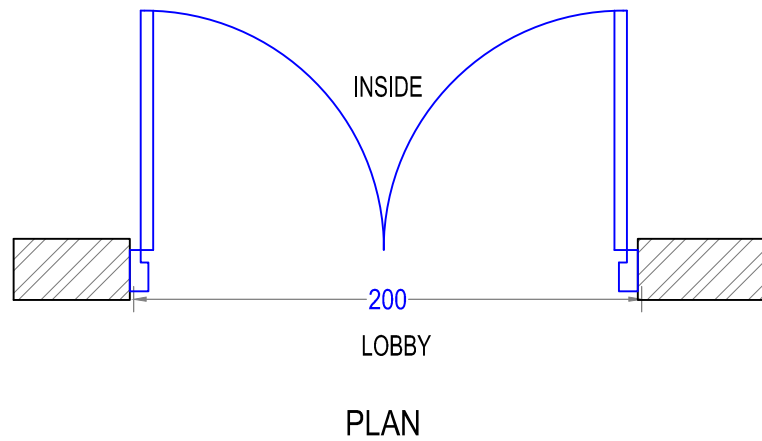
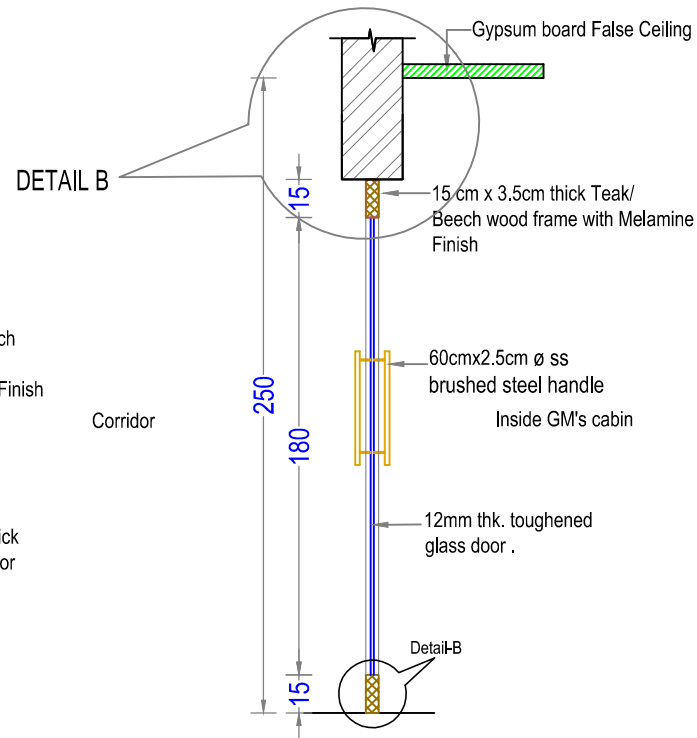
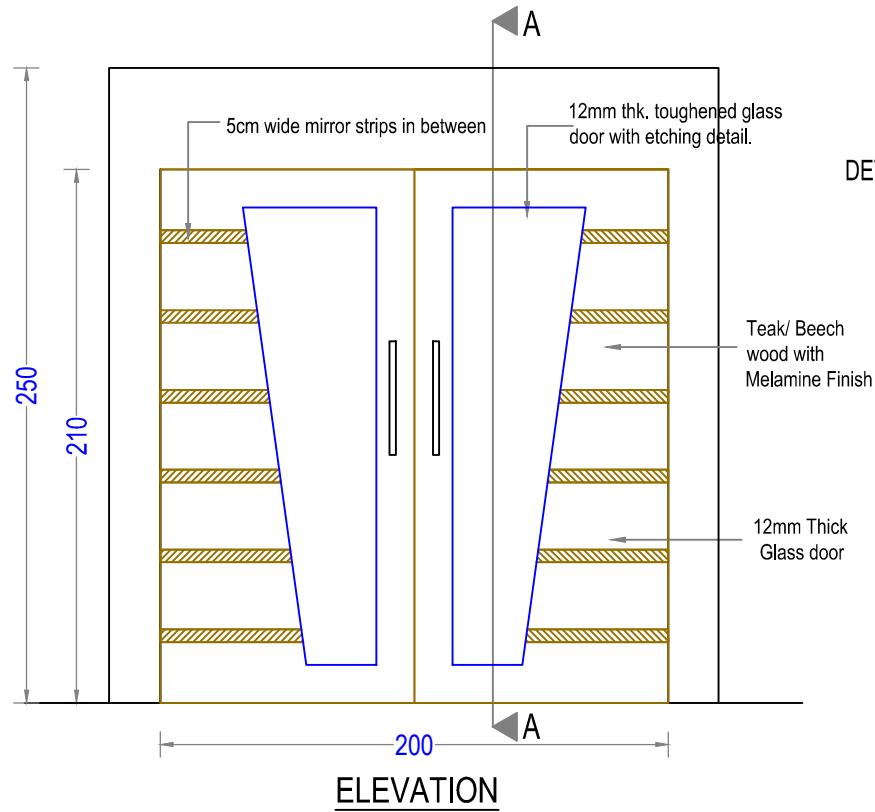


ELEVATION

SECTION-AA



ENARC CONSULTANTS
 ARCHITECTS AND ENGINEERS
 M. G. Road, Thrissur - 1.
 Tel. : +91(487) 2441901
 Fax : +91(487) 2442011
 E-mail : office@enarc.net.in



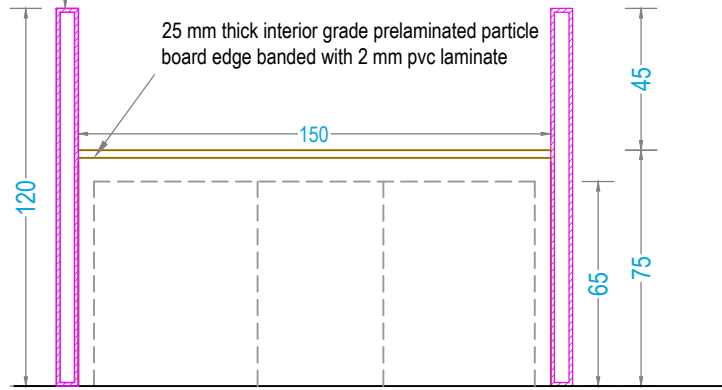
**PROPOSED INTERIOR FURNISHING
 FOR HEAD OFFICE, FIRST FLOOR
 STATE BANK OF INDIA,
 TRIVANDRUM**

DETAILS OF :	ITEM NOS.
1. FRONT SIDE GLAZING WITH DOOR	2

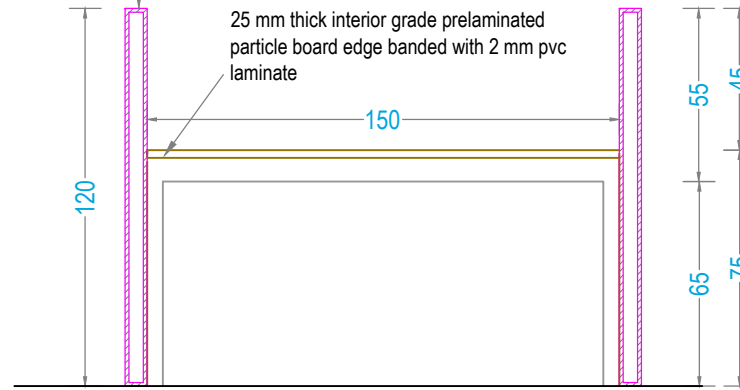
Drawn by	GINISH KG
Architect	PRAVEEN.P B. Arch,[Regd], A.I.I.A, A.I.I.I.D
Chief Architect	Ar. K. RAMAKRISHNAN B.Sc.(Engg), F.I.E. C.Eng(I), F.I.V.F.I.I.A.(Regd.), A.I.I.I.D

Date: 03-11-2018	Drawing No.
Revision Date:	Sheet No: 06
	Scale: NTS
All Dimensions are in CMs.	

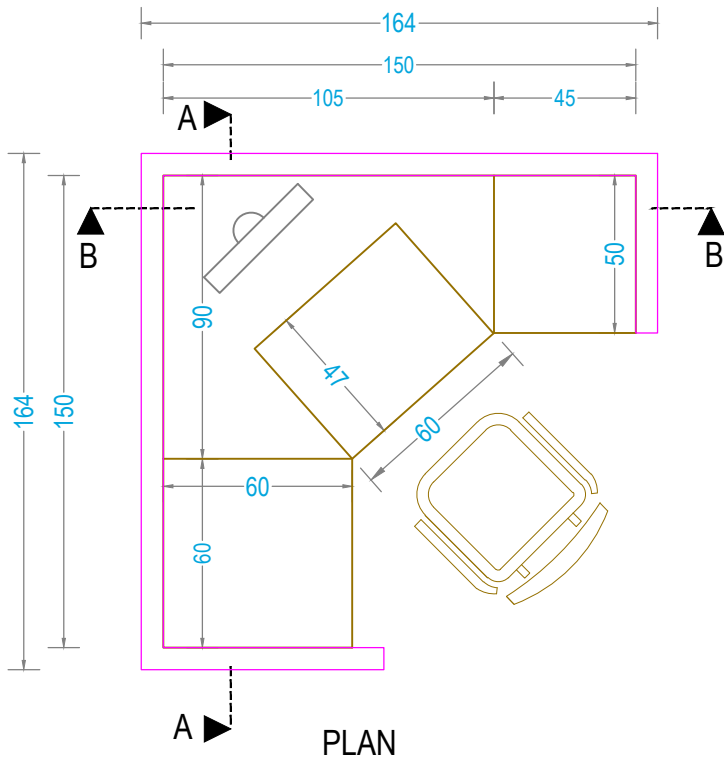
65mm to 75mm thick powder coated 1.2mm thick CRCA partitions with prepunched cutouts to run electric & networking cables. Dual Race ways punch out to fix electrical & data modules for Power & data at just below table and skirting level. 9 mm tiles both sides prelaminate particle board/ fabric clad board/glass/soft board as required by using sliding panel method



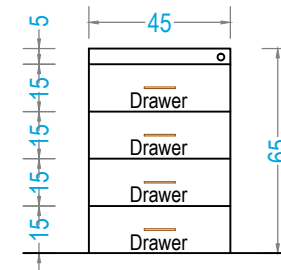
SECTION AA OF TABLE



SECTION BB OF TABLE



PLAN



DRAWER UNIT

**PROPOSED INTERIOR FURNISHING
 FOR HEAD OFFICE, FIRST FLOOR
 STATE BANK OF INDIA,
 TRIVANDRUM**

DETAILS OF	ITEM NOS.
1. MODULAR PARTITION &	3
2. TABLE - (150X150X75CMS)	10

Drwn by GINISH KG

Architect
 PRAVEEN.P
 B. Arch,[Regd], A.I.I.A, A.I.I.I.D

Chief Architect
 Ar. K. RAMAKRISHNAN
 B.Sc.(Engg.), F.I.E, C.Eng(I),
 F.I.V.F.I.I.A (Regd.), A.I.I.I.D

Date: 03-11-2018 Drawing No.

Revision Date: Sheet No: 07

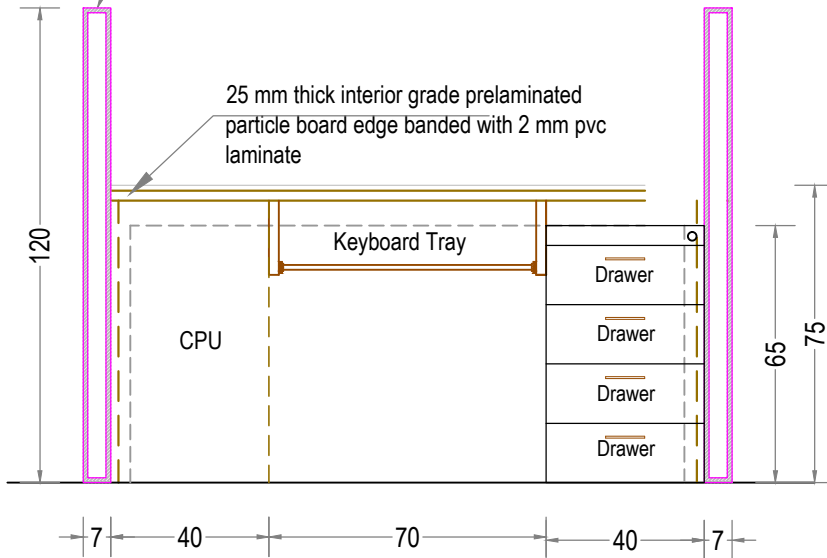
Scale NTS

All Dimensions are in CMs.

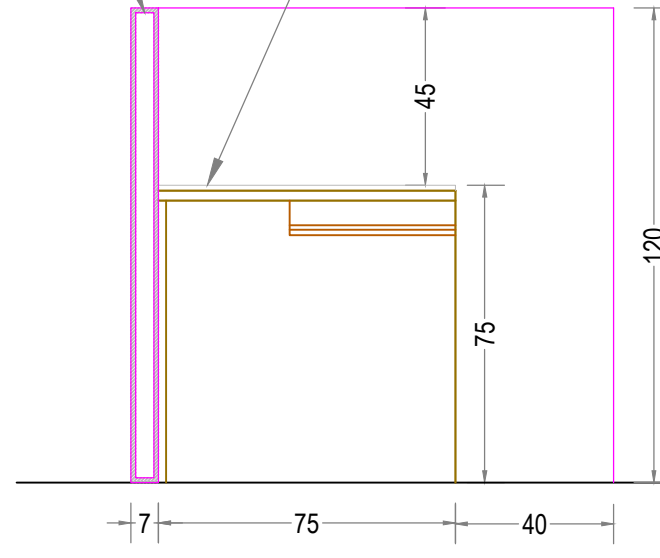
65mm to 75mm thick powder coated 1.2mm thick CRCA partitions with prepunched cutouts to run electric & networking cables. Dual Race ways punch out to fix electrical & data modules for Power & data at just below table and skirting level. 9 mm tiles both sides pre-laminated particle board/ fabric clad board/glass/soft board as required by using sliding panel method

25 mm thick interior grade pre-laminated particle board edge banded with 2 mm pvc laminate

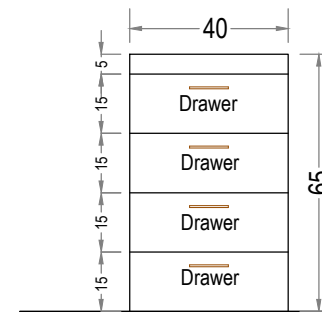
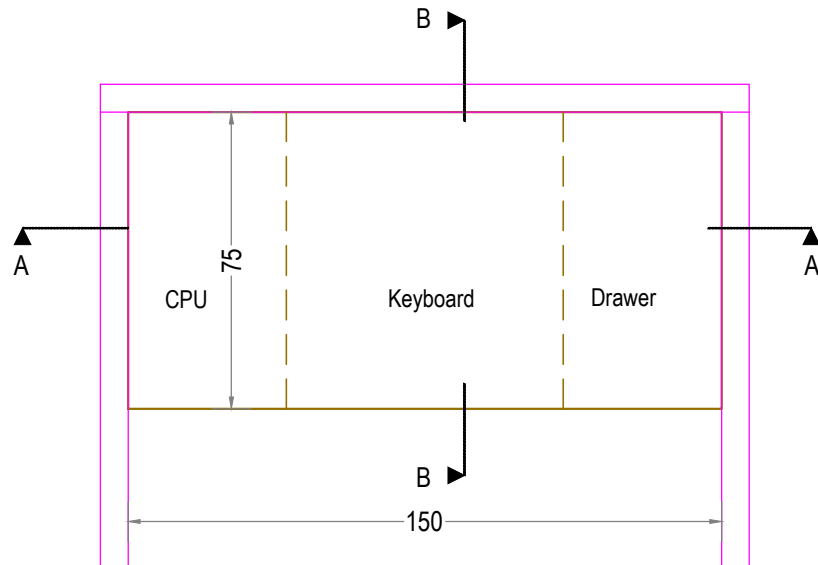
25 mm thick interior grade pre-laminated particle board edge banded with 2 mm pvc laminate



SECTION AA



SECTION BB



DRAWER

**PROPOSED INTERIOR FURNISHING
 FOR HEAD OFFICE, FIRST FLOOR
 STATE BANK OF INDIA,
 TRIVANDRUM**

DETAILS OF :	ITEM NOS.
1. MODULAR PARTITION	3
2. CLERK TABLE (150 X75 X 75)	11a
3. DRAWER UNIT	12a
4. KEYBOARD TRAY	12b
5. CPU TROLLEYS	12c

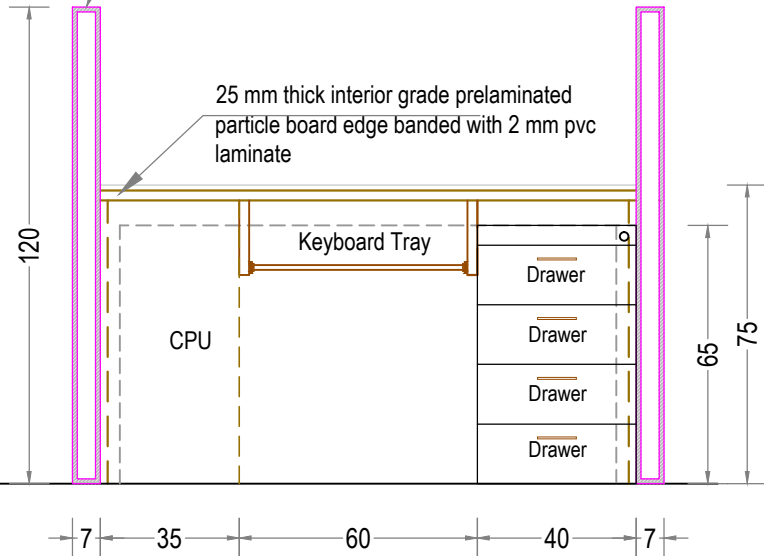
Drawn by	GINISH KG
Architect	PRAVEEN.P B. Arch, [Regd], A.I.I.A, A.I.I.I.D
Chief Architect	Ar. K. RAMAKRISHNAN B.Sc.(Engg), F.I.E, C. Eng (I), F.I.V, F.I.I.A. (Regd), A.I.I.I.D

Date: 03-11-2018	Drawing No.
Revision Date:	Sheet No. 08
	Scale NTS
All Dimensions are in Cms.	

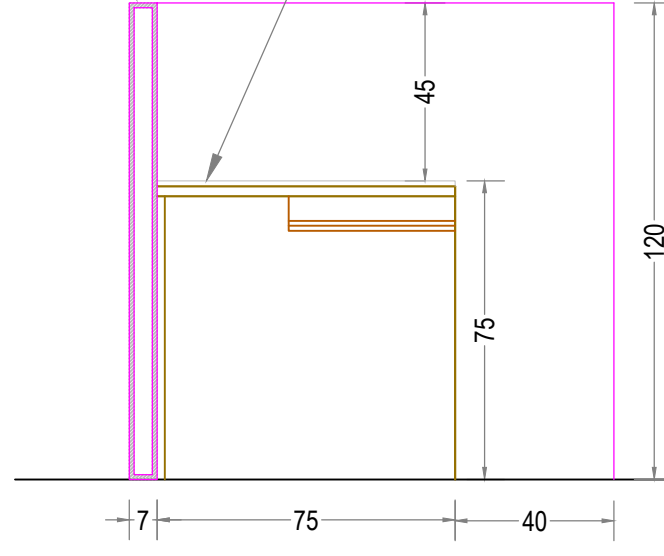
65mm to 75mm thick powder coated 1.2mm thick CRCA partitions with prepunched cutouts to run electric & networking cables. Dual Race ways punch out to fix electrical & data modules for Power & data at just below table and skirting level. 9 mm tiles both sides prelaminate particle board/ fabric clad board/glass/soft board as required by using sliding panel method

25 mm thick interior grade prelaminate particle board edge banded with 2 mm pvc laminate

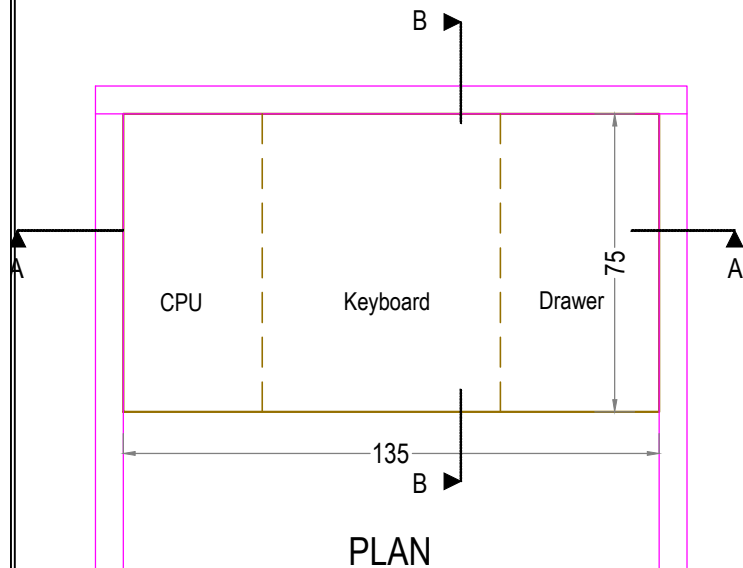
25 mm thick interior grade prelaminate particle board edge banded with 2 mm pvc laminate



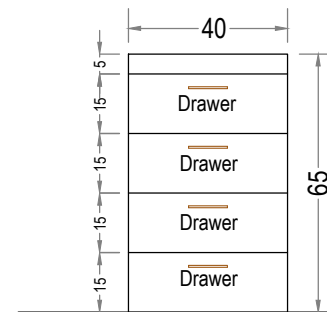
SECTION AA



SECTION BB



PLAN



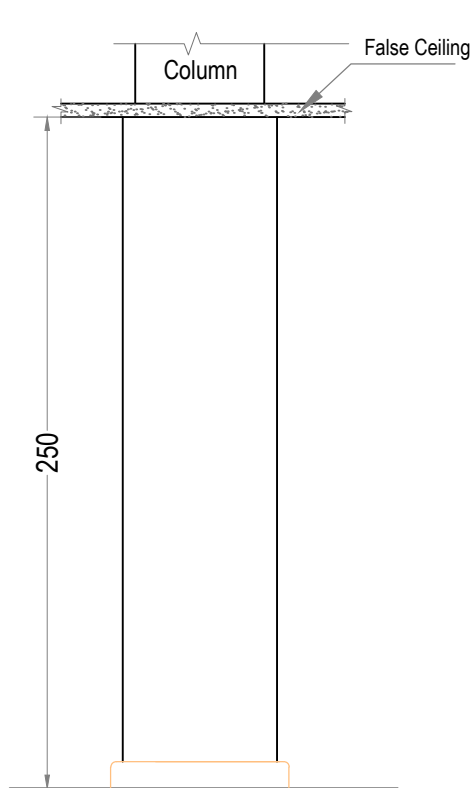
DRAWER

**PROPOSED INTERIOR FURNISHING
 FOR HEAD OFFICE, FIRST FLOOR
 STATE BANK OF INDIA,
 TRIVANDRUM**

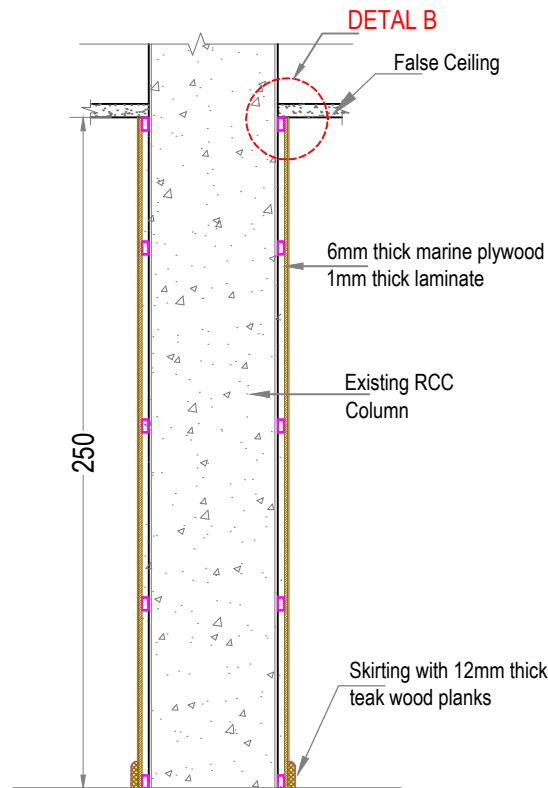
DETAILS OF :	ITEM NOS.
1. MODULAR PARTITION	3
2. CLERK TABLE (135 X75 X 75)	11b
3. DRAWER UNIT	12a
4. KEYBOARD TRAY	12b
5. CPU TROLLEYS	12C

Drawn by	GINISH KG
Architect	PRAVEEN.P B. Arch,[Regd], A.I.I.A, A.I.I.I.D
Chief Architect	Ar. K. RAMAKRISHNAN B.Sc.(Engg), F.I.E, C. Eng (I), F.I.V, F.I.I.A. (Regd), A.I.I.I.D

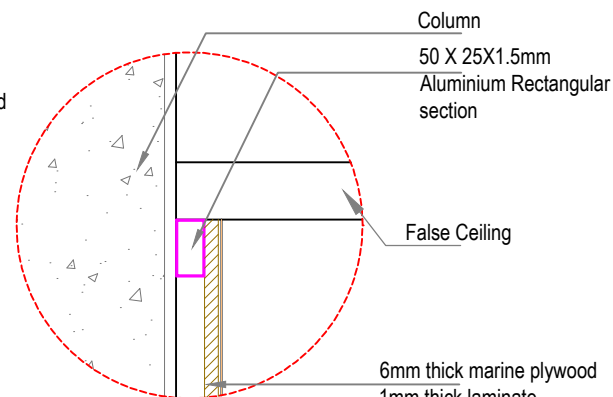
Date: 03-11-2018	Drawing No.
Revision Date:	Sheet No. 09
	Scale NTS
All Dimensions are in CMs.	



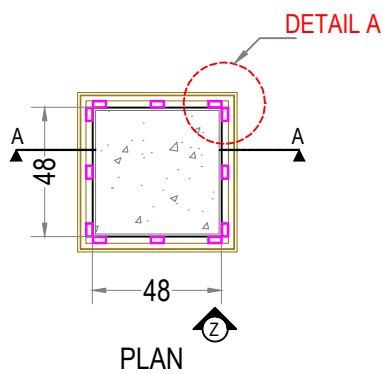
ELEVATION Z



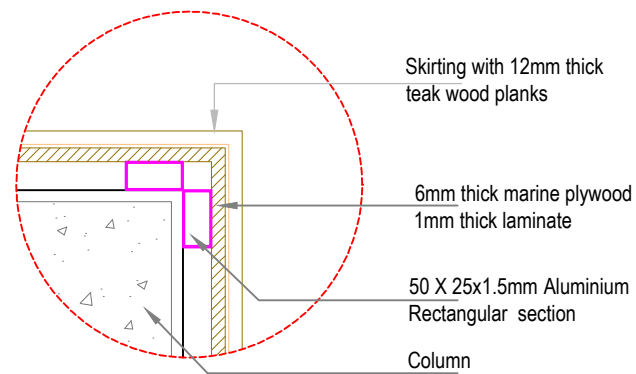
SECTION A-A



DETAIL B



PLAN



DETAIL A

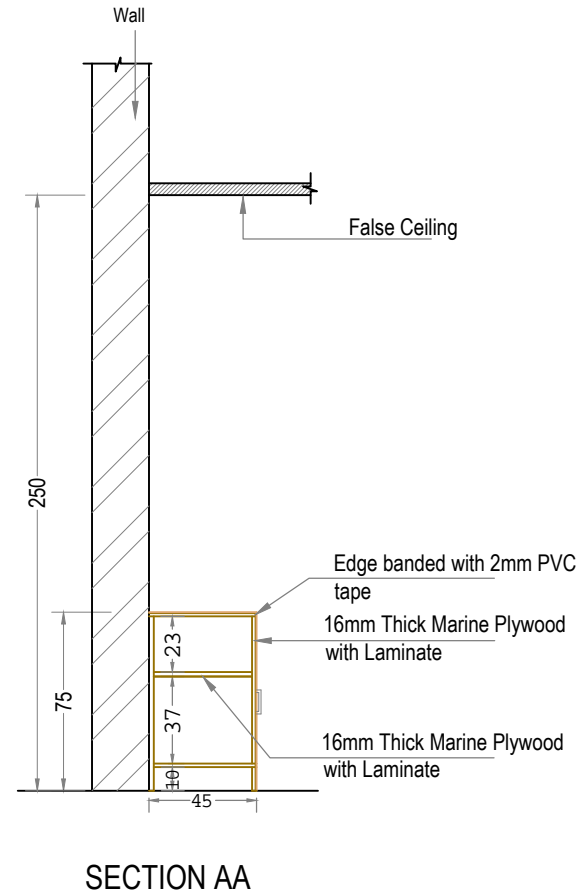
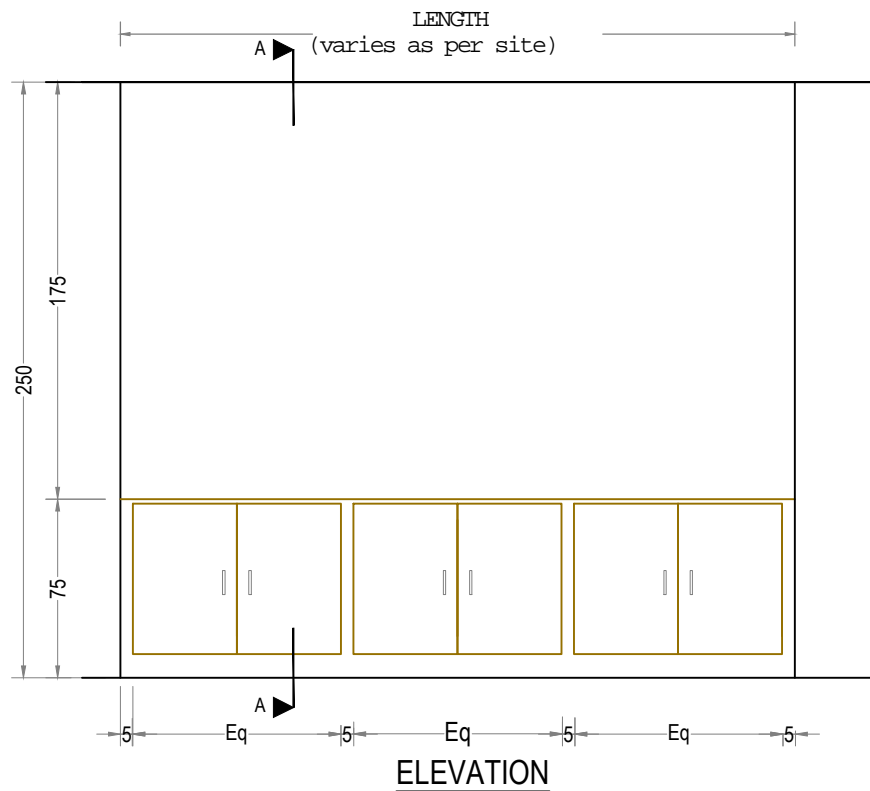
**PROPOSED INTERIOR FURNISHING
FOR HEAD OFFICE, FIRST FLOOR
STATE BANK OF INDIA,
TRIVANDRUM**

DETAILS OF :	ITEM NOS.
COLUMN PANELING 48 X 48 X 250 CMS HEIGHT	4

Drawn by	GNISH KG
Architect	PRAVEEN.P B. Arch.
Chief Architect	K. RAMAKRISHNAN B.Sc.(Engg), M.I.E, C. Eng (I), F.I.V.A.I.I.A.(Regd.)
Date: 03-11-2018	Drawing No.
Revision Date:	Sheet No: 10
	Scale NTS
All Dimensions are in CMs.	



ENARC CONSULTANTS
 ARCHITECTS & ENGINEERS
 M. G. Road, Thrissur - 1.
 Tel. : (+91 487) 2441901
 Fax : (+91 487) 2442011
 E-mail : office@enarc.net.in



**PROPOSED INTERIOR FURNISHING
 FOR HEAD OFFICE, FIRST FLOOR
 STATE BANK OF INDIA,
 TRIVANDRUM**

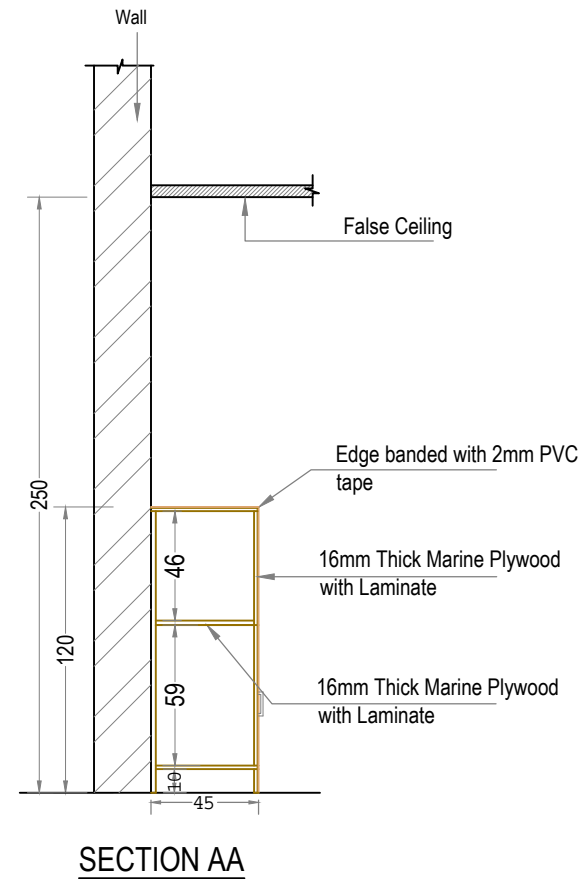
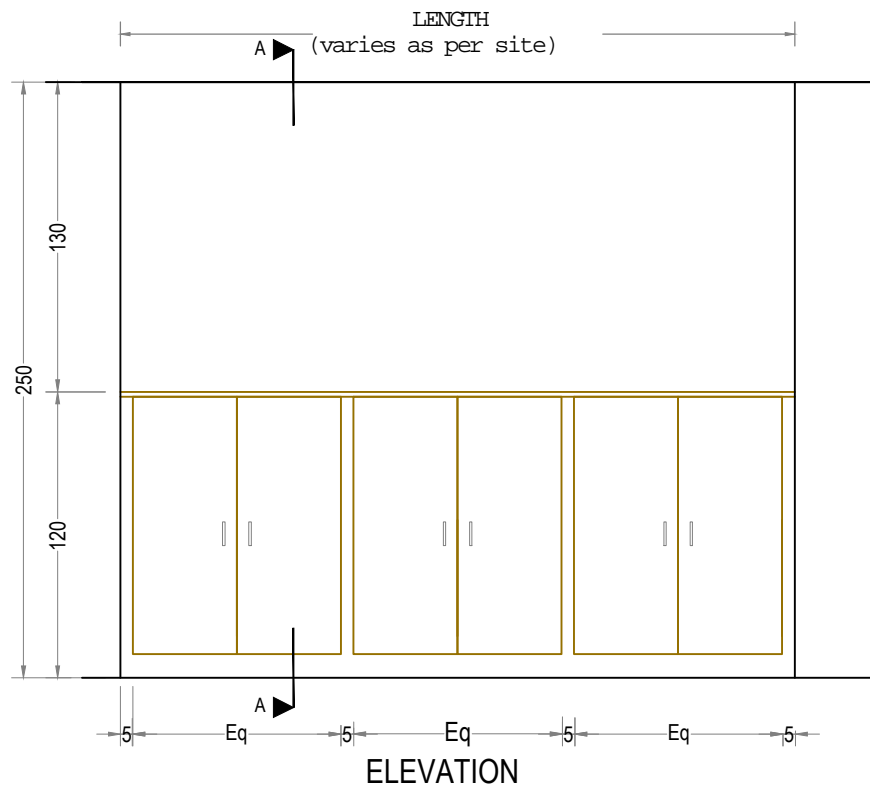
DETAILS OF :	ITEM NOS.
CUPBOARD- LOW LEVEL (75 cm Height)	5a

Drawn by	GINISH KG
Architect	PRAVEEN.P B. Arch,[Regd], A.I.I.A, A.I.I.I.D
Chief Architect	Ar. K. RAMAKRISHNAN B.Sc.(Engg), M.I.E, C. Eng (I), F.I.V , F.I.I.A. (Regd), A.I.I.I.D

Date: 03-11-2018	Drawing No.
Revision Date:	Sheet No. 11
	Scale NTS
	All Dimensions are in CMs.



ENARC CONSULTANTS
 ARCHITECTS & ENGINEERS
 M. G. Road, Thrissur - 1.
 Tel. : (+91 487) 2441901
 Fax : (+91 487) 2442011
 E-mail : office@enarc.net.in



**PROPOSED INTERIOR FURNISHING
 FOR HEAD OFFICE, FIRST FLOOR
 STATE BANK OF INDIA
 TRIVANDRUM**

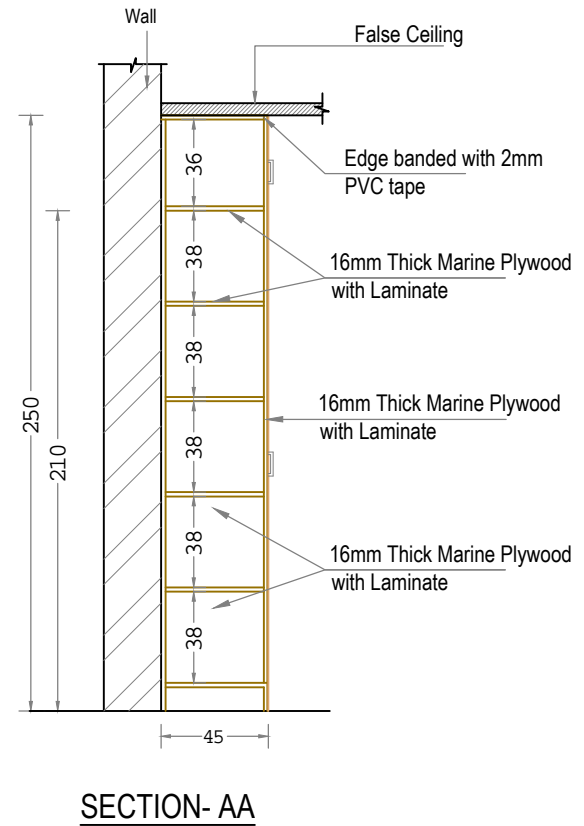
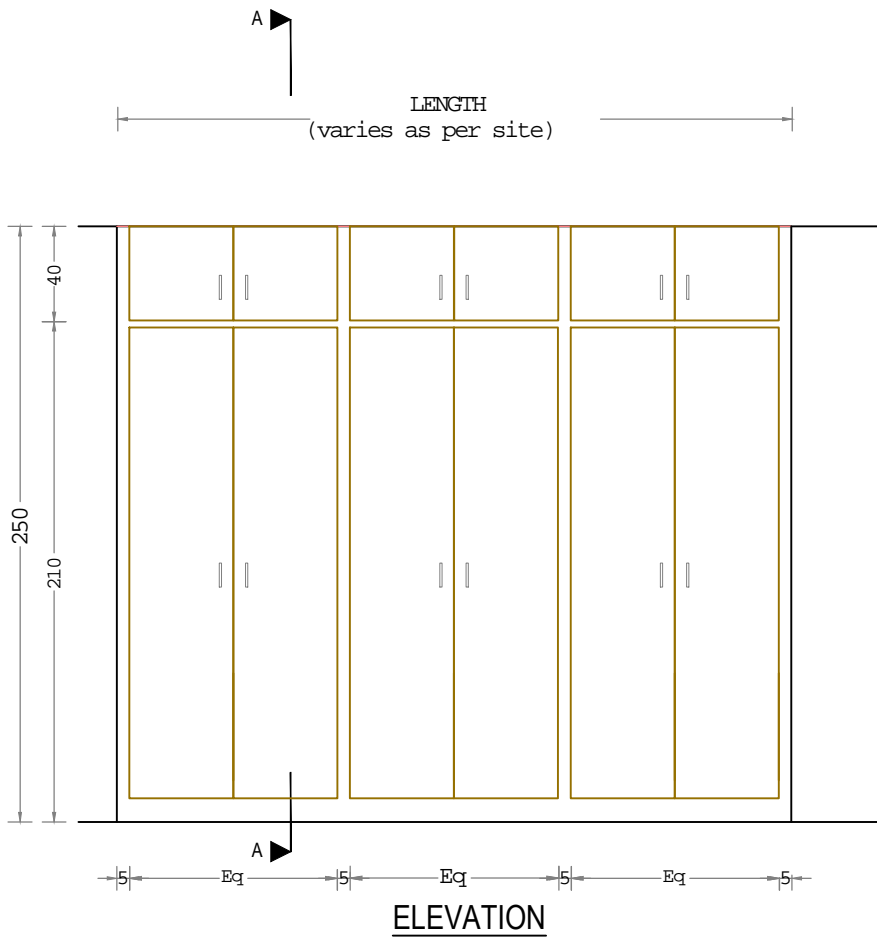
DETAILS OF :	ITEM NOS.
CUPBOARD- LOW LEVEL (120 cm Height)	5b

Drawn by	GINISH K G
Architect	PRAVEEN.P B. Arch,[Regd], A.I.I.A, A.I.I.I.D
Chief Architect	Ar. K. RAMAKRISHNAN B.Sc.(Engg), M.I.E, C. Eng (I), F.I.V , F.I.I.A. (Regd), A.I.I.I.D

Date: 03-11-2018	Drawing No.
Revision Date:	Sheet No. 12
	Scale NTS
All Dimensions are in CMs.	



ENARC CONSULTANTS
ARCHITECTS AND ENGINEERS
 M. G. Road, Thirissur - 1.
 Tel. : +91(487) 2441901
 Fax : +91(487) 2442011
 E-mail : office@enarc.net.in



**PROPOSED INTERIOR FURNISHING
 FOR HEAD OFFICE, FIRST FLOOR
 STATE BANK OF INDIA,
 TRIVANDRUM**

DETAILS OF :	ITEM NOS.
CUPBOARD- HIGH LEVEL (250 cm Height)	5c

Drawn by GINISH KG

Architect
 PRAVEEN.P
 B. Arch,[Regd], A.I.I.A, A.I.I.I.D

Chief Architect
 Ar. K. RAMAKRISHNAN
 B.Sc.(Engg), F.I.E, C. Eng (I),
 F.I.V , F.I.I.A. (Regd), A.I.I.I.D

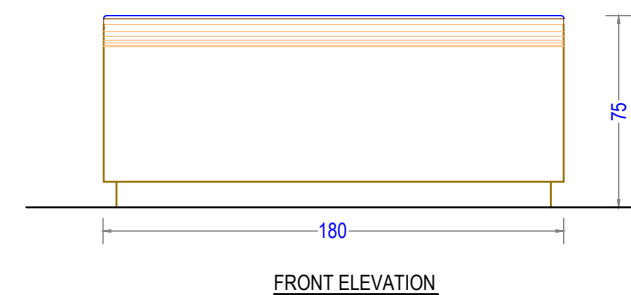
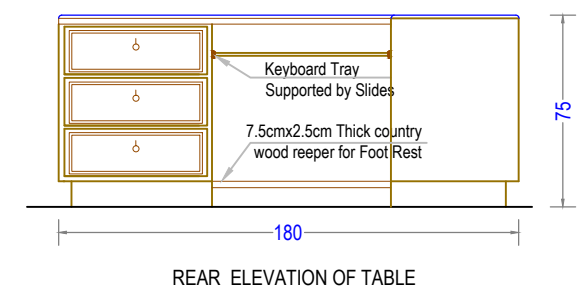
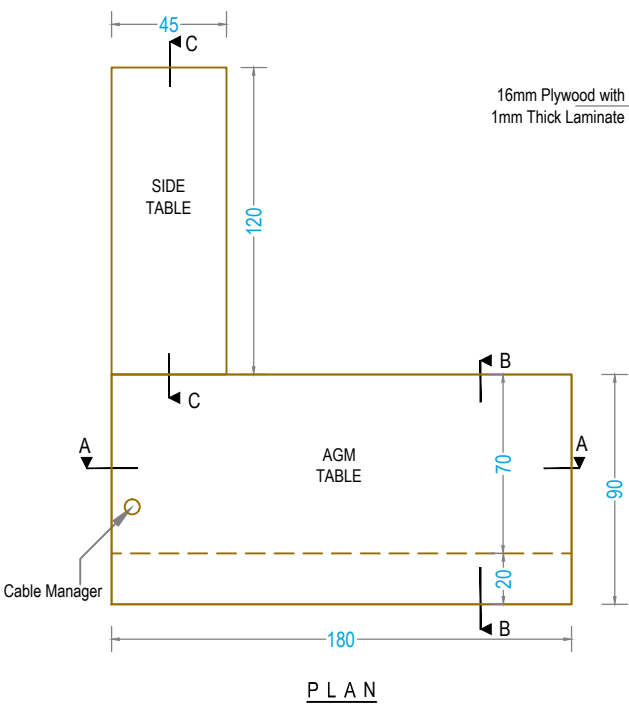
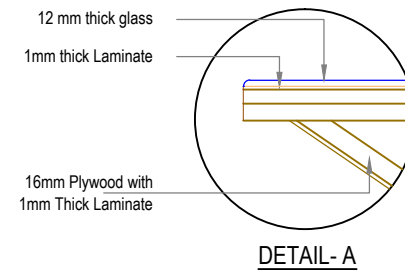
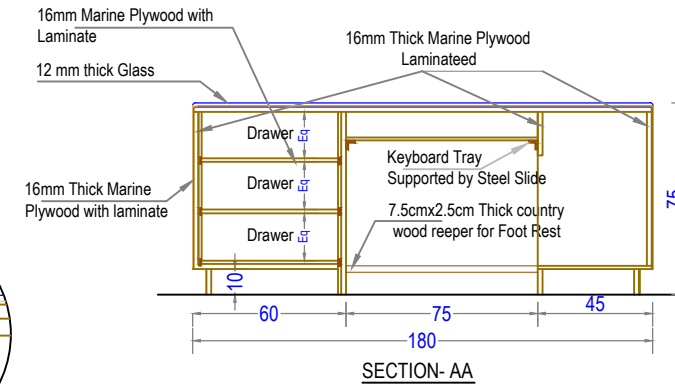
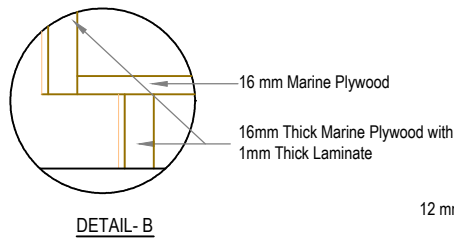
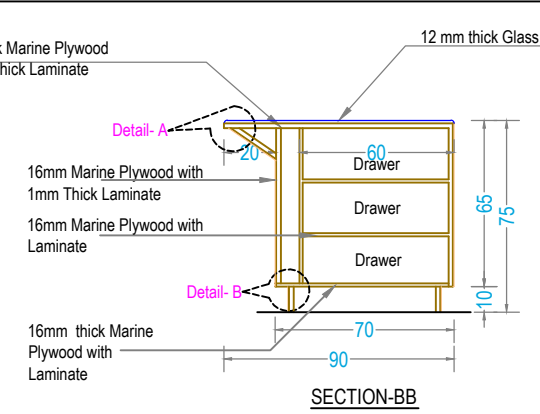
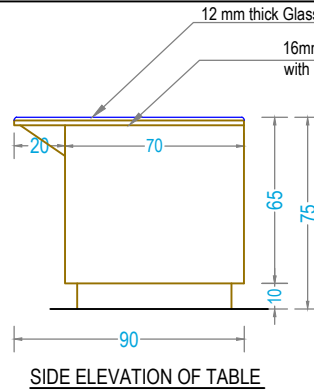
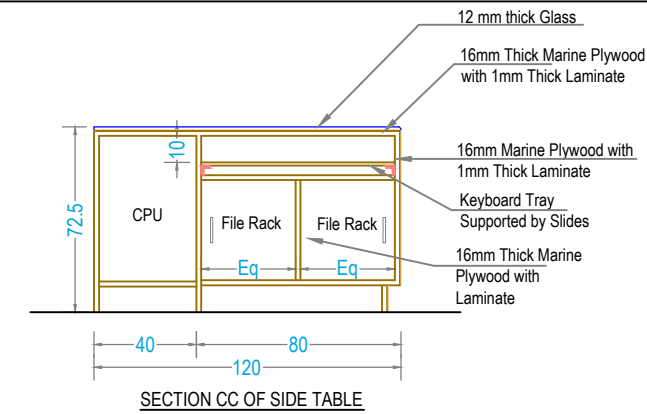
Date: 03-11-2018 Drawing No.

Revision Date: Sheet No. **13**

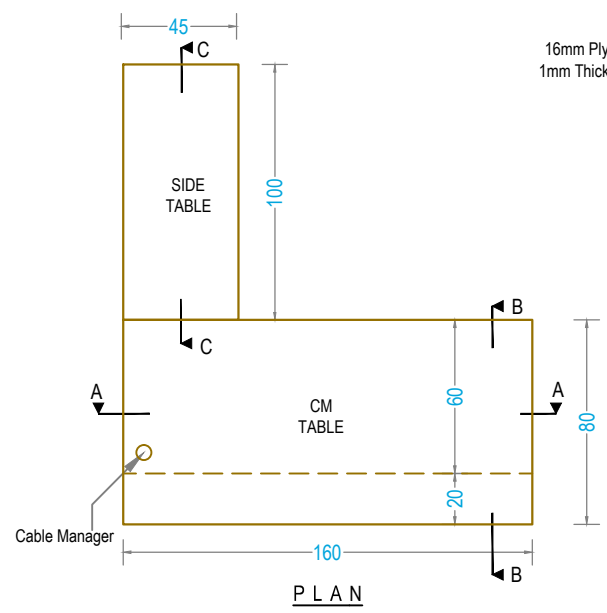
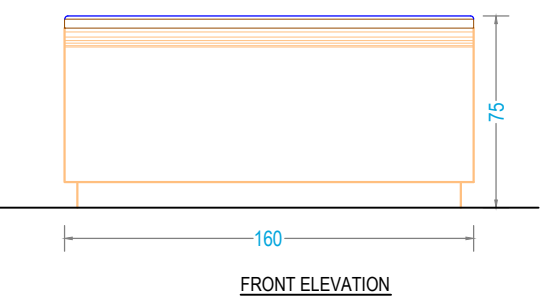
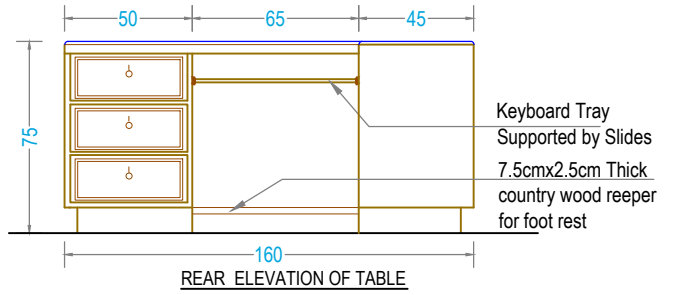
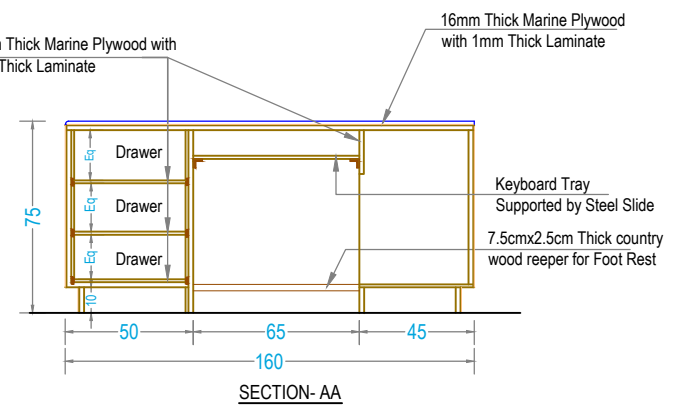
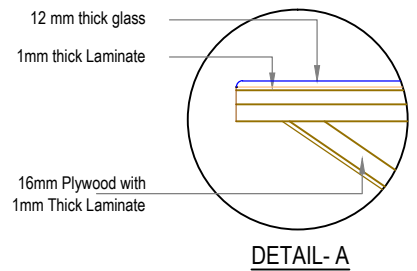
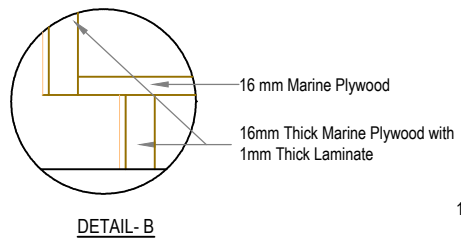
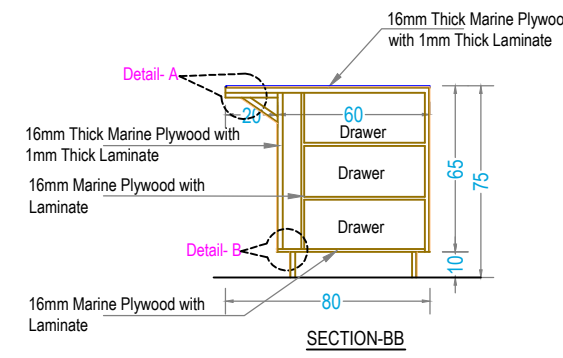
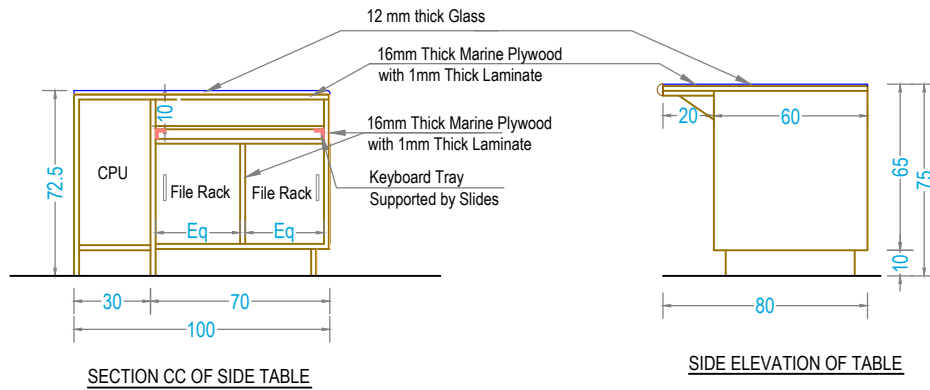
Scale NTS

All Dimensions are in CMs.

**PROPOSED INTERIOR FURNISHING
 FOR HEAD OFFICE, FIRST FLOOR
 STATE BANK OF INDIA,
 TRIVANDRUM**



DETAILS OF :		ITEM NOS.
1. AGM TABLE (180X90X75)		8
2. SIDE TABLE (120X45X72.5)		14
Drawn by	GINISH KG	
Architect	PRAVEEN.P B. Arch.[Regd], A.I.I.A, A.I.I.I.D	
Chief architect	Ar. K. RAMAKRISHNAN B.Sc.(Engg.), F.I.E, C.Eng(I), F.I.V.F.I.I.A.(Regd.), A.I.I.I.D	
Date: 03-11-2018	Drawing No.	
Revision Date:	Sheet No. 14	
	Scale NTS	
	All Dimensions are in CMs.	

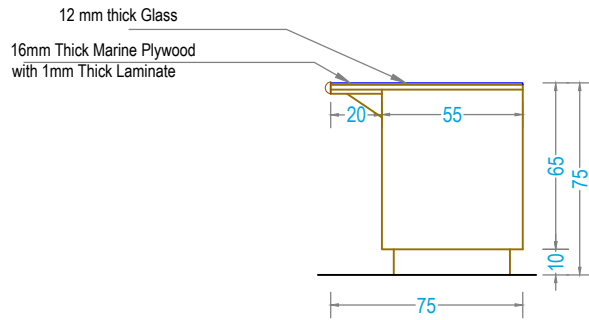


**PROPOSED INTERIOR FURNISHING
 FOR HEAD OFFICE, FIRST FLOOR
 STATE BANK OF INDIA,
 TRIVANDRUM**

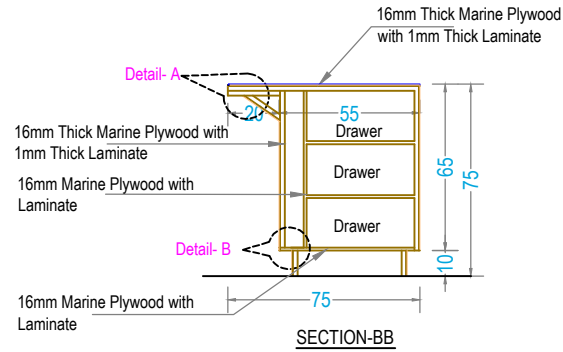
DETAILS OF :	ITEM NOS.
1. CM & MANAGER TABLE (160X80X75)	9
2. SIDE TABLE (100X45X72.5)	15

Drawn by	GINISH KG
Architect	PRAVEEN.P B. Arch. [Regd], A.I.I.A, A.I.I.I.D
Chief architect	Ar. K. RAMAKRISHNAN B.Sc. (Engg.), F.I.E, C.Eng(I), F.I.V.F.I.I.A. (Regd.), A.I.I.I.D

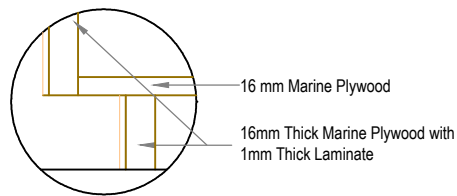
Date: 03-11-2018	Drawing No.
Revision Date:	Sheet No. 15
	Scale NTS
All Dimensions are in CMs.	



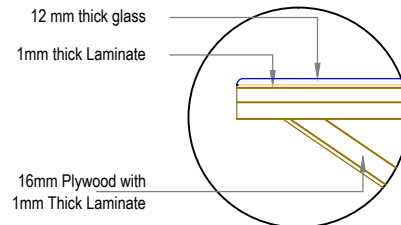
SIDE ELEVATION OF TABLE



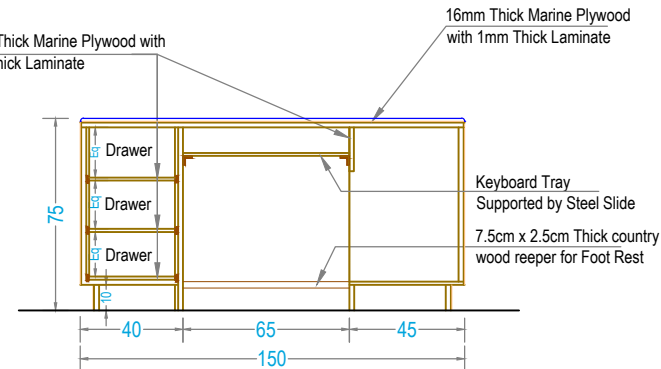
SECTION-BB



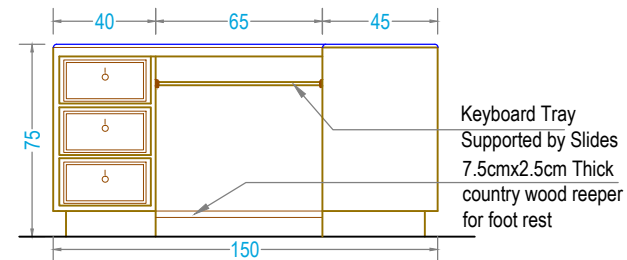
DETAIL-B



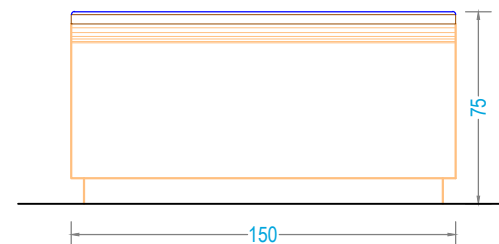
DETAIL-A



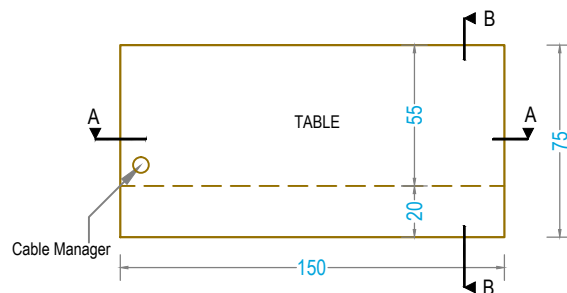
SECTION-AA



REAR ELEVATION OF TABLE



FRONT ELEVATION



PLAN

**PROPOSED INTERIOR FURNISHING
 FOR HEAD OFFICE, FIRST FLOOR
 STATE BANK OF INDIA,
 TRIVANDRUM**

DETAILS OF :	ITEM NOS.
1. OUTSOURCE TABLE (150X75X75)	13

Drawn by	GINISH KG
Architect	PRAVEEN.P B. Arch,[Regd], A.I.I.A, A.I.I.I.D

Chief architect	Ar. K. RAMAKRISHNAN B.Sc.(Engg.), F.I.E, C.Eng(I), F.I.V,F.I.I.A.(Regd.), A.I.I.I.D
-----------------	---

Date: 03-11-2018	Drawing No.
Revision Date:	Sheet No. 16
	Scale NTS
	All Dimensions are in CMs.